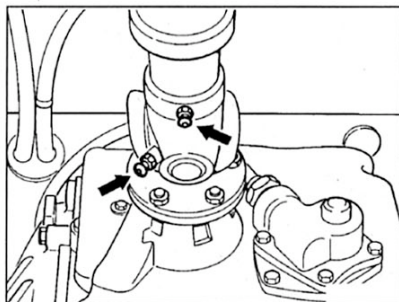


AP41.10-P-4121G

Propeller shafts - lubricating universal joints and sliding elements

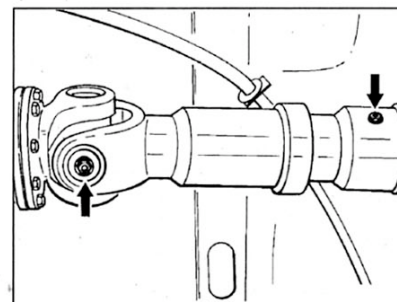
9.7.96

MODEL 460, 461, 463



Propeller shaft with  
spherical grease nipple  
(example)

P41.10-0267-01



Propeller shaft with  
funnel shaped grease  
nipple (example)

P41.10-0268-01

|   |                                                                         |                         |                    |
|---|-------------------------------------------------------------------------|-------------------------|--------------------|
| 1 | Clean grease nipple with rag                                            |                         |                    |
| 2 | Lubricate universal joints until new grease exits                       | Multiple purpose grease | BR00.45-Z-1001-06A |
| 3 | Lubricate sliding elements, 3 - 4 strokes (approx. 3 cm <sup>3</sup> ). |                         |                    |

## Service products for repair

| Number             | Designation         | Order number  |
|--------------------|---------------------|---------------|
| BR00.45-Z-1001-06A | MB long life grease | 000 989 63 51 |